

■ 2048 x 1 pixels

■ 40 kHz

WAVE Series



➤ WAL-2001-GE

High performance SWIR line scan camera

GigE[®]
VISION

Tentative Version



- *High-performance SWIR line scan camera with GigE Vision interface*
- *2048 x 1 pixel output up to 40kHz*
- *12.8mm wide sensor with 12.5 μm square pixels*
- *Supports residual frame processing and horizontal image flip*
- *Video output: Mono8/10/12/14-bit*
- *Gain control includes digital gain and analog gain*
- *IPS: Non-uniformity correction, online FFC (Flat Field Correction), DPC (Defective Pixel Correction), black level control and LUT*
- *Lens mount: C-Mount*

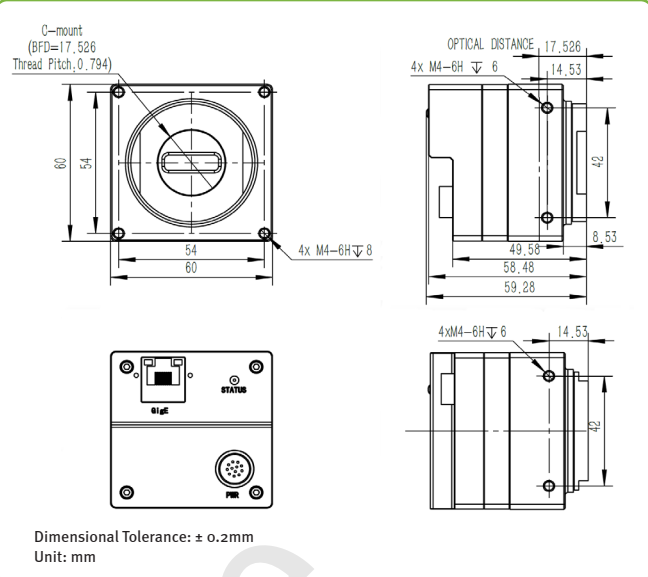
Specifications for WAL-2001-GE

WAVE Series

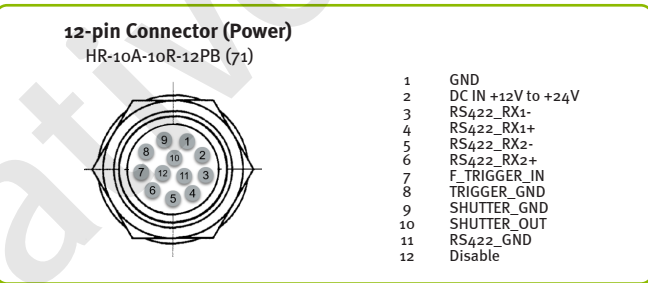
Specifications	WAL-2001-GE
Sensor	InGaAs global shutter
Spectral range	900nm to 1700nm
Effective Pixels	2048 x 1 (pixel shift)
Line rate	up to 40kHz
Sensor width	12.8mm
Pixel size	12.5 μm x 12.5 μm
Quantum Efficiency	83.25%@1435nm (typical peak value)
Dynamic Range	70dB
Signal-to-Noise Ratio	50dB
Interface	GigE Vision
Video output	Mono8, Mono10, Mono12, Mono14
Gain	Digital Gain (1 to 32) Analog Gain (Low Gain & High Gain)
Trigger source	Single-ended & RS422 Differential Line trigger
Line Trigger Divider	1 to 32
Exposure Mode	Timed
Exposure Time	2 μs ~ 992 μs Exposure time can be longer at slower line rates.
IPS (Image processing settings)	Non-uniformity correction, online FFC (Flat Field Correction), DPC (Defective Pixel Correction), Black level, LUT (Look Up Table)
LUT	3 preset options
Lens mount	C-Mount (BFD: 17.526mm)
Operating temp. (ambient)	-10°C to +50°C (20 to 80% non-condensing)
Storage temp. (ambient)	-30°C to +70°C (20 to 80% non-condensing)
Vibration	5G (55 Hz to 500 Hz, XYZ directions)
Shock	15G
Regulations	CE (EN IEC 61326-1:2021) FCC Part 15 Subpart B, RoHS, KC
Power supply	12-pin: DC 12 V to 24V +/-10% PoE: not supported
Power consumption	4.8W Max @ 12V DC
Dimensions (H x W x D)	60mm x 60 mm x 50.75 mm (without connector and lens mount protrusions)
Weight	290g

Ordering Information	
WAL-2001-GE	2K High performance SWIR line scan camera

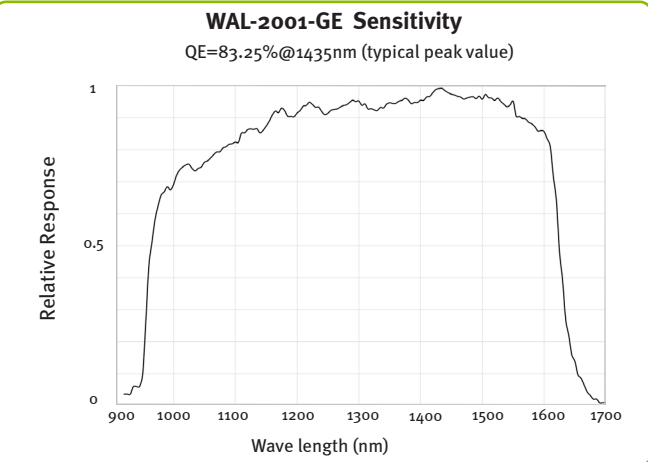
Dimensions



Connector pin-out



Spectral Response



Company and product names mentioned in this datasheet are trademarks or registered trademarks of their respective owners. JAI A-S Cannot be held responsible for any technical or typographical errors and reserves the right to make changes to products and documentation without prior notice.

Europe, Middle East & Africa Phone +45 4457 8888	Asia Pacific Phone +81 45 440 0154	Americas Phone +1 312 763 6570
---	---------------------------------------	-----------------------------------

Visit our website on www.jai.com