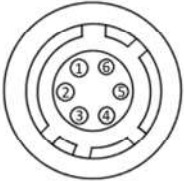


GO – GOX interface

GO

GO Hirose 6-Pin interface

DC In / Trigger

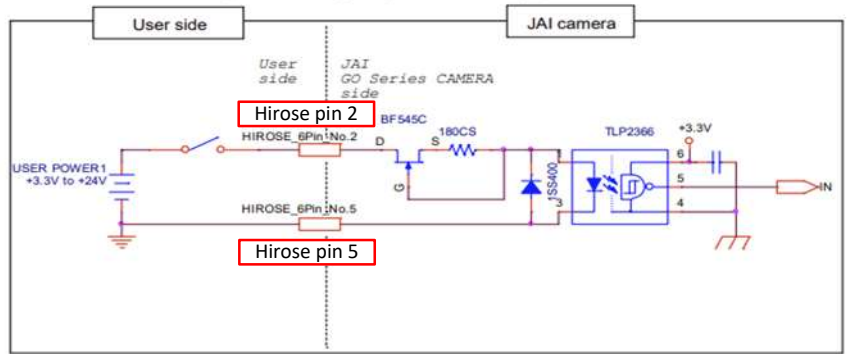


HIROSE HR-10A-7R-6PB(73)

Pin	Signal
1	+12V to +24V DC Input
2	Opto In 1
3	Opto Out 1
4	Opto Out 2
5	Opto Common
6	GND

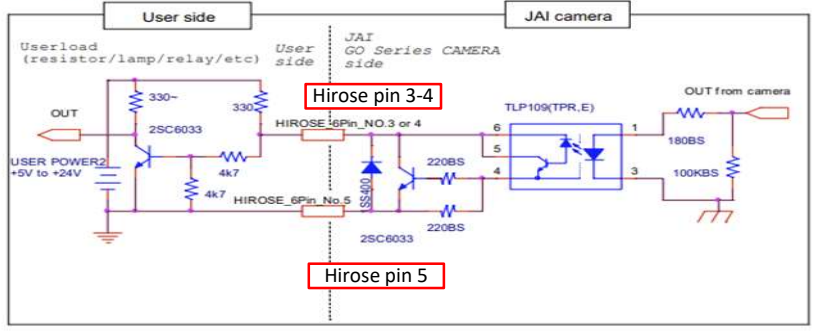
IN

Recommended external input circuit diagram (reference example)



OUT

Standard example



OUT

Simple circuit

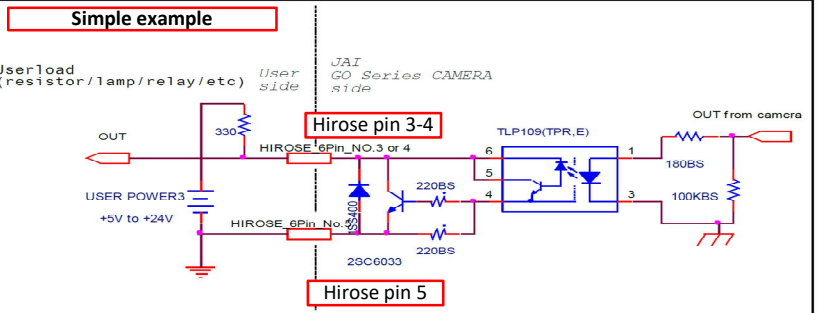
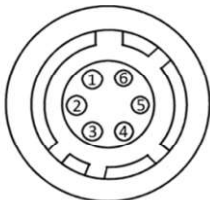


Fig. 10 Example of external output circuit(Simple)

GOX

GOX Hirose 6-Pin interface

DC In / Trigger

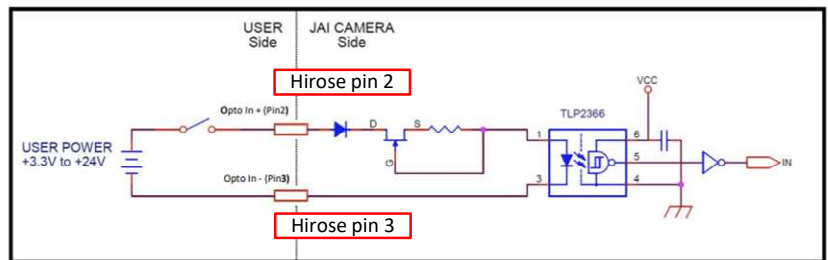


HIROSE HR10A-7R-6PB(73)

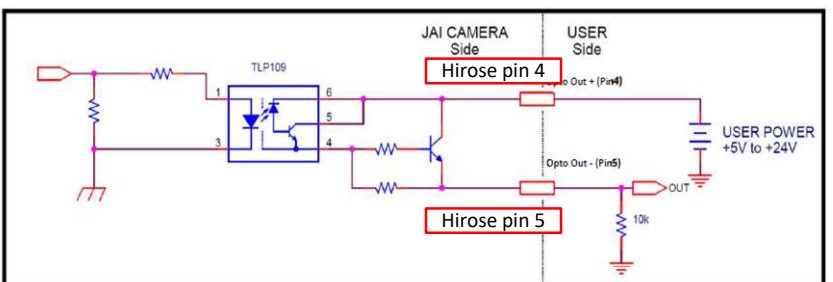
Pin	Signal
1	DC in +10V to +25V
2	Opto In+
3	Opto In-
4	Opto Out+
5	Opto Out-
6	Ground

Recommended external input circuit diagram (reference example)

IN



OUT

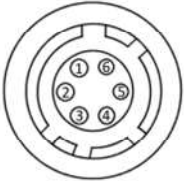


GO – GOX interface

GO

GO Hirose 6-Pin interface

DC In / Trigger

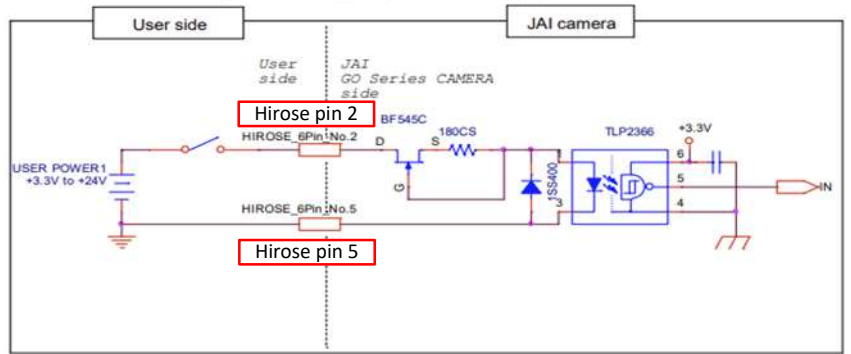


HIROSE HR-10A-7R-6PB(73)

Pin	Signal
1	+12V to +24V DC Input
2	Opto In 1
3	Opto Out 1
4	Opto Out 2
5	Opto Common
6	GND

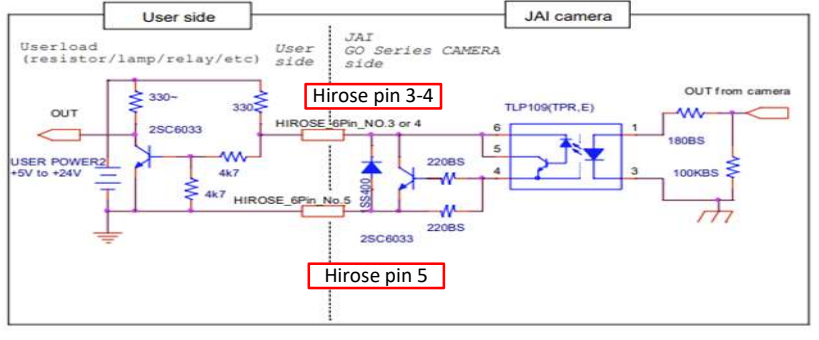
IN

Recommended external input circuit diagram (reference example)



OUT

Standard example



OUT

Simple circuit

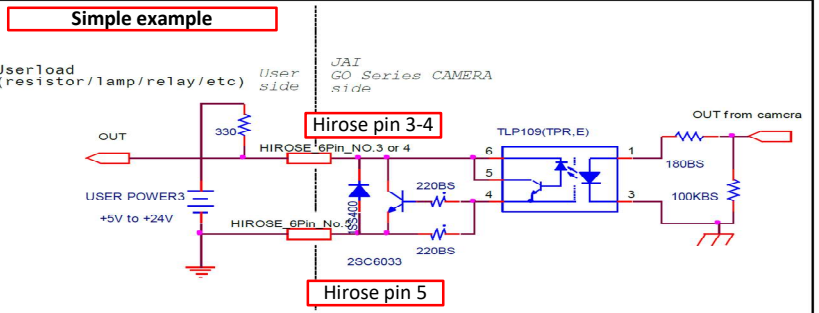
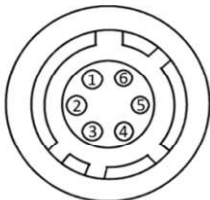


Fig. 10 Example of external output circuit(Simple)

GOX

GOX Hirose 6-Pin interface

DC In / Trigger

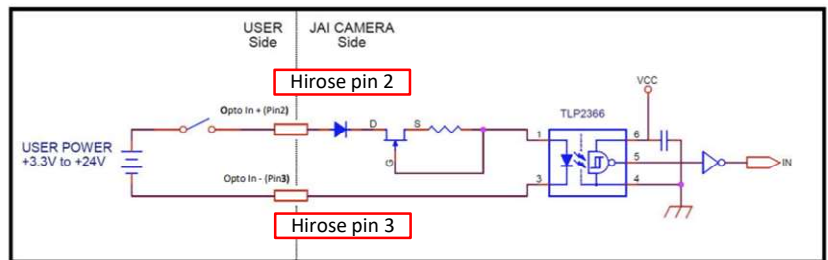


HIROSE HR10A-7R-6PB(73)

Pin	Signal
1	DC in +10V to +25V
2	Opto In+
3	Opto In-
4	Opto Out+
5	Opto Out-
6	Ground

Recommended external input circuit diagram (reference example)

IN



OUT

